

Aerial Yoga Structure

Product description

_____ p. 2

Document of conformity and safety manual

_____ p. 3

Instructions for assembly

_____ p. 4

Product description

The AYS structure is professionally designed to ensure stability, comfort and safety. Easy to assemble, light and easy to transport and compact when disassembled.

It has been designed from experience. Ready to use over any stable surface. The 4 non-slip bases will protect the floor surface and will provide stability.

It is now possible to practice with your swing in the middle of the forest, on the beach, on the terrace or in any open space contemplating the sky.

Now you also can with our AYS structure.

Construction material: **iron.**

Standard finish: **zinc plated.**

Color finish: **Check the price.**

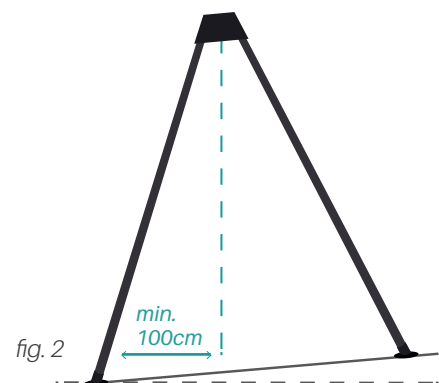
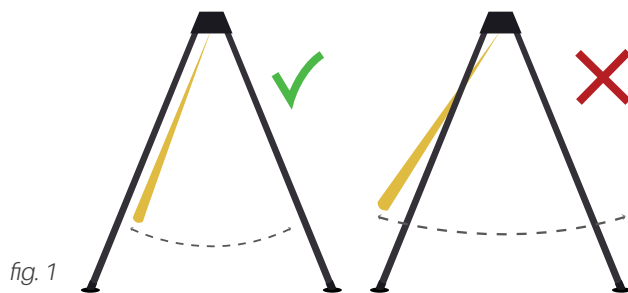
Transport dimensions: **100 x 15 x 20 cm.**

Assembled dimensions (height, length, width): **244 x 225 x 230 cm.**

Weight: **20 kg.**

Document of conformity and safety manual

- This structure is designed for practicing aerial yoga only. Use it to perform yoga postures and gentle movements and avoid dynamic falls.
ATTENTION: DO NOT USE FOR SWINGING! (fig.1)
- Maximum load is 200 kg.
- Designed to be used only by one person.
- We recommend the use of only approved suspension fabrics or other items for suspension.
- Always install the structure on an even terrain.
- Terrain incline must not exceed 5%, or similarly, the distance from the apex to the line between the frontal legs should never be less than 100cm (fig.1)
- Proper use of this structure requires compliance with the document of conformity.



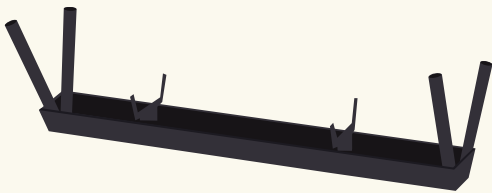
Instructions for assembly

Follow the attached graphic instructions to assemble the structure.

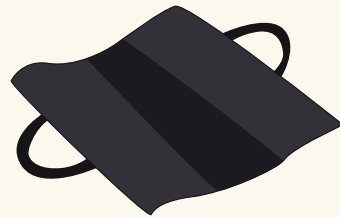
Tools are not required for assembly.

On hard surfaces, it is essential to mount the 4 non-slip bases.

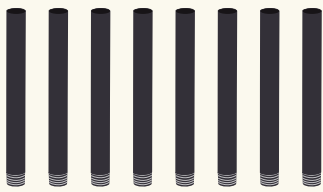
Package content:



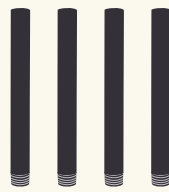
x1 Roof structure



x1 Carrier bag



x8 Intermediate threaded pipes



x4 Base threaded pipes



x4 Feet



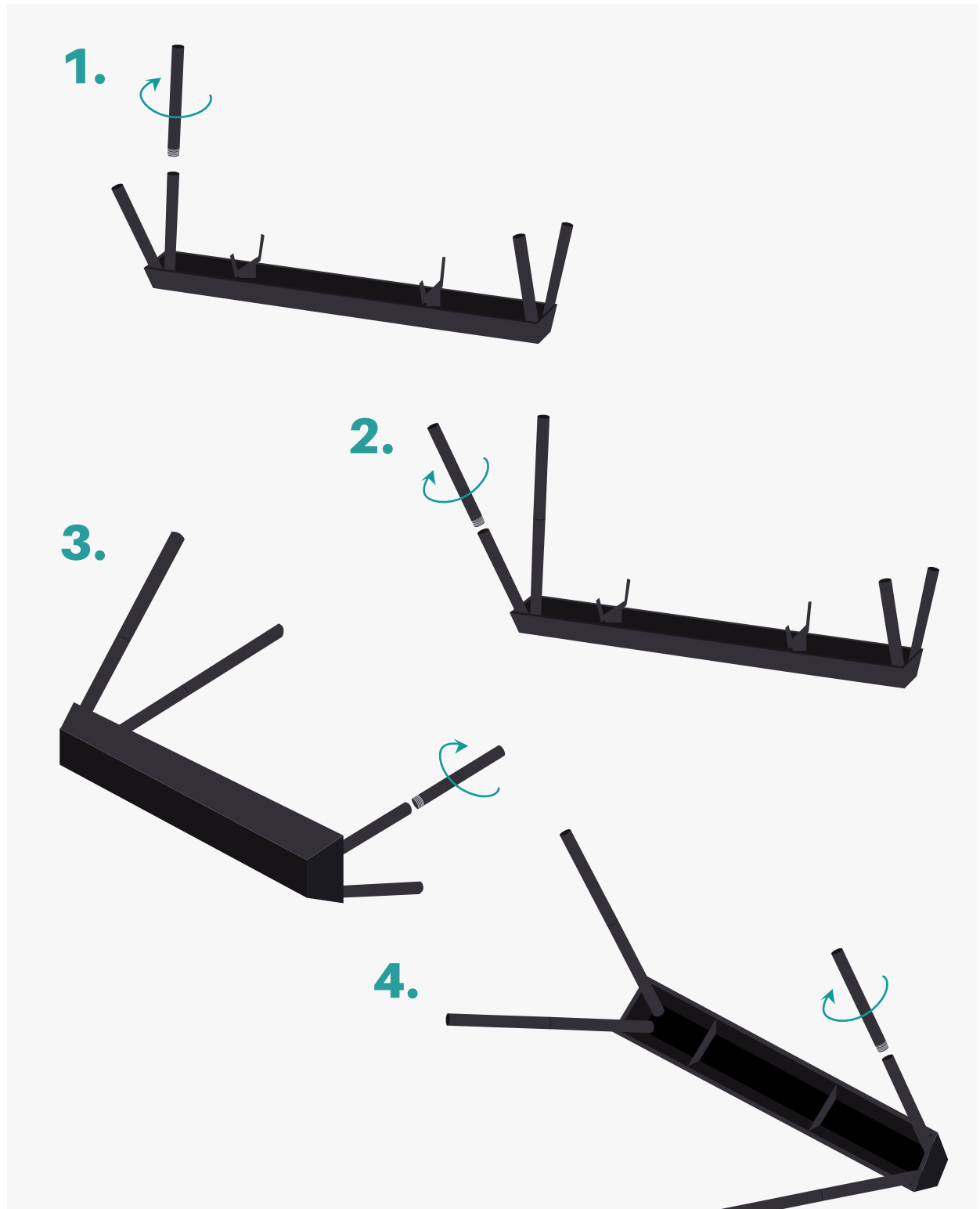
x4 Non-slip bases



x2 Stainless steel shackles

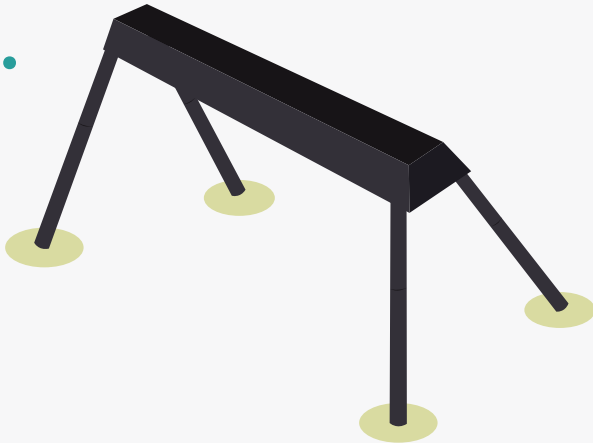


Instructions for assembly



Instructions for assembly

5.



6.



7.



Instructions for assembly

8.



9.



10.



Instructions for assembly

11.



On hard surfaces, it is essential to mount the 4 non-slip bases.